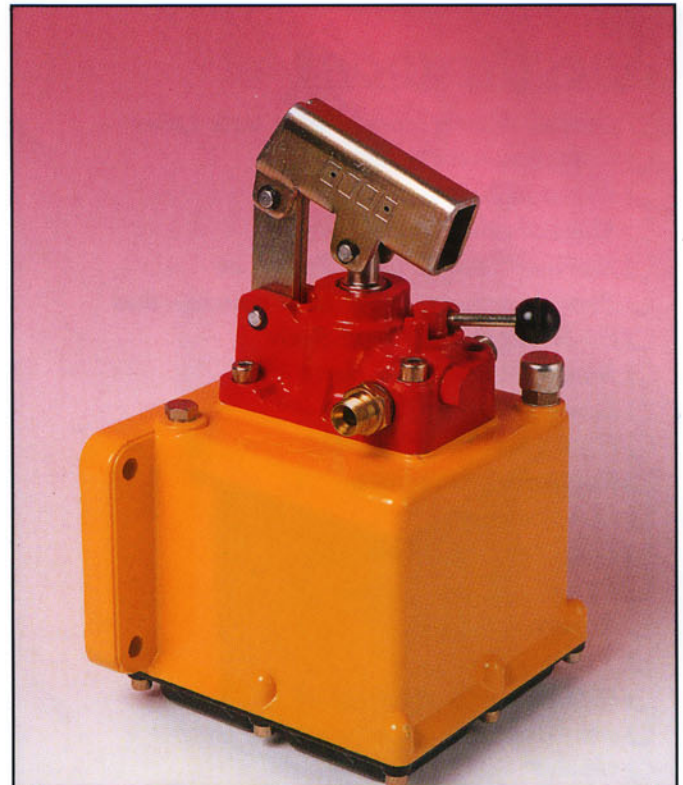


Hand Pump 45cc/Cycle with Lever + Manual Directional Valve + 2 Litre reservoir

Specifications

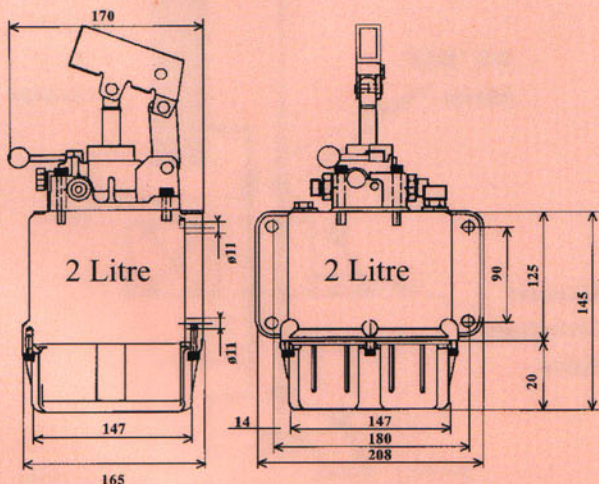
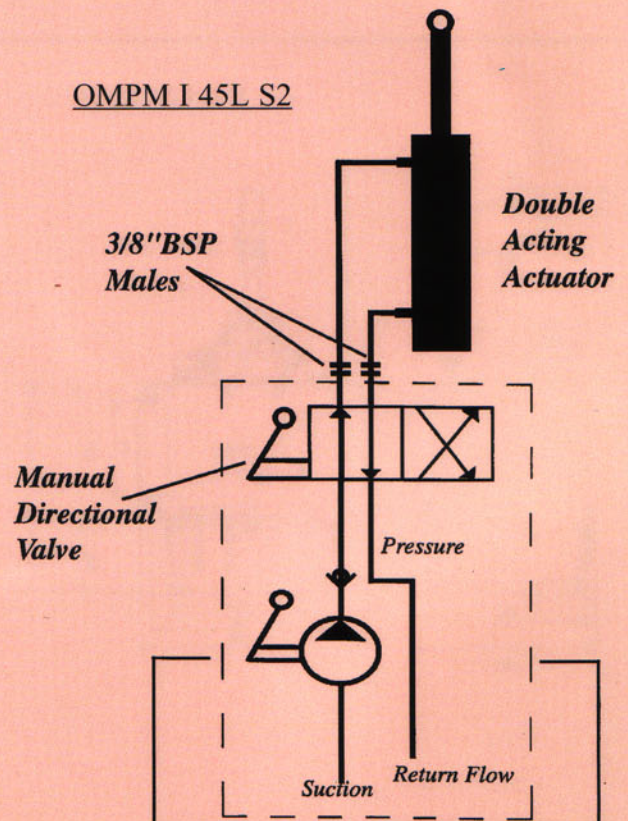
- Double Acting Hand Pump with Lever-
- Complete with reservoir
- 45 c/c per cycle
- Manual Directional Valve
- Stainless Steel Piston Rod
- Pump cartridge is all steel construction
- Hi-Strength Cast Iron Body
- Nickel Plated Steel Parts
- Low Operating Effort
- High Quality, ISO.9001
- Rugged Construction
- Low leakage
- Long Life, Hard Wearing
- Buna seals are Standard
- Reservoir:-
- 2 Litre capacity
- High Strength Aluminium
- c/w Nickel plated screws
- Gasket
- Breather Plug
- Suction tube to suit
- Weight 5.4 Kg
- Pump suitable for use with-
- ISO.HM.VG.32 Hydraulic Oil



Ordering Code: **OMPM I 45L S2**

Hydraulic Circuit

OMPM I 45L S2



Mounting Instructions see page 16