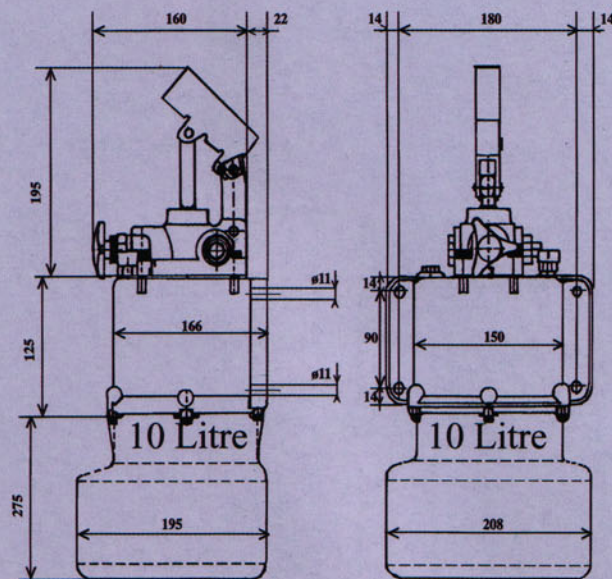


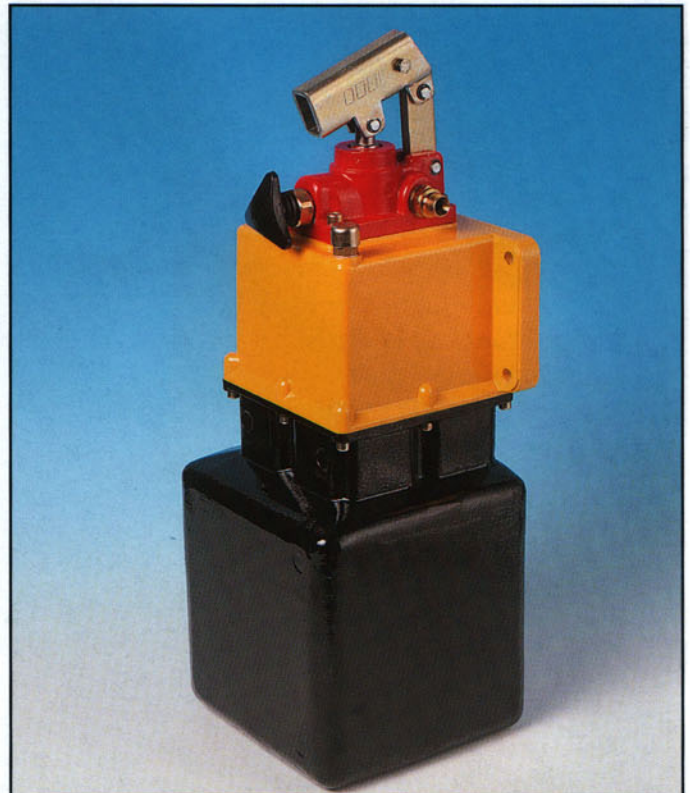
Hand Pump 25cc/Cycle with Lever + 10 Litre reservoir

Specifications

- Double Acting Hand Pump with Lever-
- Complete with reservoir
- 25 c/c per cycle
- Stainless Steel Piston Rod
- Pump cartridge is all steel construction
- Hi-Strength Aluminium Body
- Nickel Plated Steel Parts
- Low Operating Effort
- High Quality, ISO.9001
- Rugged Construction
- Low leakage
- Long Life, Hard Wearing
- Buna seals are Standard
- Reservoir:-
- 10 Litre capacity
- High Strength Aluminium
- c/w Nickel plated screws
- Gasket
- Breather Plug
- Suction tube to suit
- Weight 8.5 Kg
- Pump suitable for use with-
- ISO.HM.VG.32 Hydraulic Oil



Mounting Instructions see page 16



Ordering Code: OMPM 25L S10

Hydraulic Circuit

