



HI-PRESS HYDRAULICS Ltd

Cordless Hydraulic Pumps

ENERPAC
POWERFUL SOLUTIONS. GLOBAL FORCE.

Shown: XC-1201ME



Performance of a Powered Pump Portability of a Hand Pump

- **Lightweight design with integrated handle and carrying strap for portability**
- **Bladder reservoir prevents contamination and allows pump usage in any position**
- **Powerful 0,37 kW motor and 28 Volt Lithium-Ion battery deliver exceptional speed and run time**
- **High-strength fiberglass reinforced composite shroud for superior durability in demanding job site environments**
- **Cordless technology eliminates tripping hazards found in other powered pumps.**



G2535L Gauge

Use gauge to check system pressure. Use gauge adaptor **GA-3** for easy mounting.



Battery packs contain no cadmium, so they are environmentally friendly. Enerpac encourages recycling.



28-Volt Battery

The **XC-28V** with Lithium-Ion technology for maximum battery performance.



Battery Charger

1-hour quick charger.

Model Nr.	Voltage
XC-115VC	115 VAC
XC-230VC	230 VAC



Power and simplicity for the toughest jobs.



HI-PRESS HYDRAULICS LTD
RIVERSIDE WORKS,
FORGE ROAD, WHALEY BRIDGE,
HIGH PEAK, SK23 7HY

T: 01663 735089 - F: 01663 735090
sales@hi-press.co.uk

HI-PRESS HYDRAULICS LTD
UNIT 2, HALL HOUSE IND EST,
NEW HUTTON, KENDAL,
CUMBRIA, LA8 0AH

T: 01539 734005 - F: 01539 734006
cumbria@hi-press.co.uk





HI-PRESS HYDRAULICS Ltd

Cordless Hydraulic Pumps



XC-Series Cordless Hydraulic Pumps

The XC-Series cordless pump is ideal for jobs using small to medium size cylinders and hydraulic tools, and is compatible with over 140 Enerpac tools and cylinders. These cordless pumps combine the performance of a powered pump with the portability of a hand pump making them a perfect solution for remote applications with limited or no access to a power supply or for locations where corded solutions present trip hazards.

The Lithium-Ion battery provides superior run time:

- 250 cuts of 10 mm reinforcing bar using a WHC-750 cutter
- >100 lifts with a WR-5 spreader up to maximum load
- 45 splits on M27 - 8.8 nuts using a NC-3241 nut cutter
- 30 times lifting with a RC-104 cylinder (10 ton, 100 mm stroke).

The XC-Series cordless pump is CSA and CE compliant.

Note : Actual number of cycles per charge will vary depending on condition of battery, tool and ambient conditions.



XC Series

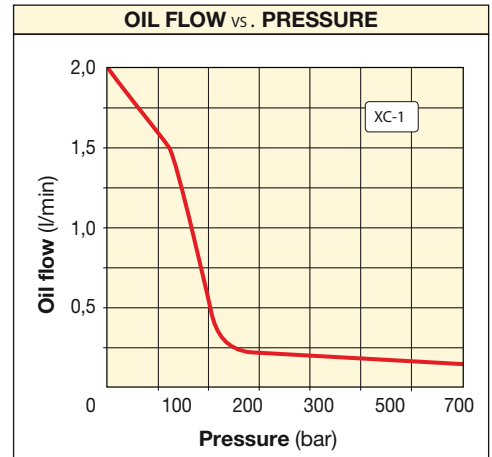
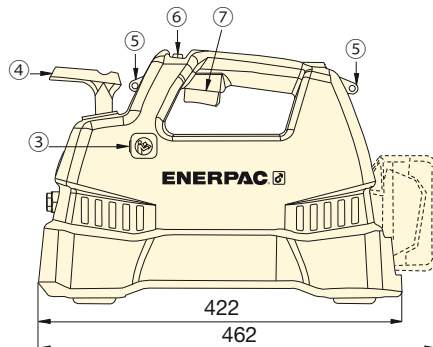
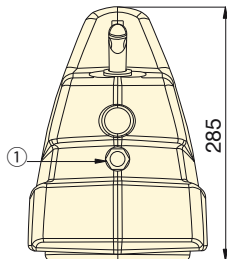
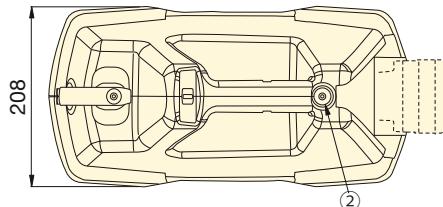


Reservoir Capacity:
1,0-2,0 litres

Flow at Rated Pressure:
0,25 l/min

Maximum operating Pressure:
700 bar

- ① Outlet "Advance" Port 3/8"-18 NPTF
- ② Oil Fill (must use funnel)
- ③ User Adjustable Relief Valve Access Port
- ④ Directional Control Valve
- ⑤ Shoulder Strap Connection Points
- ⑥ Safety Lock Feature
- ⑦ On/Off Switch



Take the battery pump anywhere without power cords or air hoses.



SELECTION CHART

Useable Oil Capacity (litres)	Model Number	Output Flow Rate (l/min)			Valve Function**	Charger Voltage (VAC)	Weight (kg)
		No Load	140 bar	700 bar			
1,0	XC-1201MB	2,0	0,50	0,25	3-way, 2-pos.	115	10
2,0	XC-1202MB	2,0	0,50	0,25			11
1,0	XC-1201ME	2,0	0,50	0,25	3-way, 2-pos.	230	10
2,0	XC-1202ME	2,0	0,50	0,25			11
1,0	XC-1201M*	2,0	0,50	0,25	3-way, 2-pos.	-	10
2,0	XC-1202M*	2,0	0,50	0,25			11

* Batteries and charger not included.

** For use with single-acting cylinders or tools.



HI-PRESS HYDRAULICS LTD
RIVERSIDE WORKS,
FORGE ROAD, WHALEY BRIDGE,
HIGH PEAK, SK23 7HY

T: 01663 735089 - F: 01663 735090
sales@hi-press.co.uk

HI-PRESS HYDRAULICS LTD
UNIT 2, HALL HOUSE IND EST,
NEW HUTTON, KENDAL,
CUMBRIA, LA8 0AH

T: 01539 734005 - F: 01539 734006
cumbria@hi-press.co.uk

