

Hydraulic Spreaders



MADE IN FRANCE

▼ Hydraulic Spreaders EHM 400/750/830 - EHL 660/800/880 - EHS 570



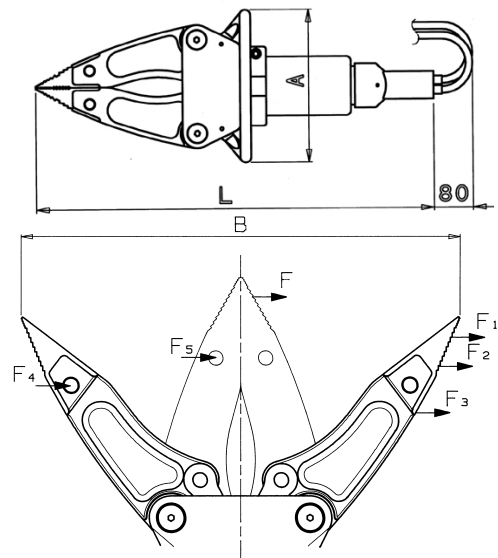
The optimal force of **HYDR'AM** tools assure complete safety during spreading, pulling, crushing and lifting operations.

DESCRIPTION

High strength hardened light alloy unit. Can be used in wet conditions.

Tool comprises :

- 1 Double action cylinder.
- 1 Ergonomically shaped control handle with integrated safety device and piloting.
- 1 Set of hoses 0.5m long, with automatically locking anti-pollution HP quick action couplers fitted with metal protection plugs.
- 2 Forged high strength light alloy arms fitted with interchangeable serrated tips without tools. The tips are made from high strength, hardened and anti-corrosion treated steel.
- Pressure relief valve for hose on coupler end.



CHARACTERISTICS

Model	EHM 400	EHM 830	EHM 750	EHL880	EHL800	EHL620	EHS570
Operating pressure	700 bar	700 bar	700 bar	700 bar	700 bar	700 bar	700 bar
Spreading force F	40 kN	38,5 kN	41 kN	57 kN	66 kN	97 kN	92 kN
Spreading force F1	78 kN	75 kN	64 kN	127 kN	146 kN	214 kN	200 kN
Spreading force F2	86 kN	85 kN	92 Kn	148 kN	177 kN	kN	kN
Maximum spreading force F3	70 kN	124 kN	132 kN	169 kN	202 kN	kN	kN
Traction force F4/F5	58 / 30 kN	72 / 40 kN	49 / 41 kN	69 / 56 kN	128 / 82 kN	130 / 65kN	114,4 / 62 kN
Maximum opening B	382 mm	838 mm	750 mm	821 mm	800 mm	615 mm	565 mm
Dimensions (mm) LxAxH	687x284x200	849x310x205	809x310x205	882x360x200	860x360x200	761x360x200	911x370x244
Weight	12 kg	20,6 kg	19,6 kg	26,5 kg	26,5 kg	25 kg	32,6 kg
Tool classification EN 13204			AS 41-750/19,6	BS 57-880/26,5	BS 63-800/26,5	CS 88-610/25	CS 91-565/32,6
Compliance standards	NF-EN-NFPA	NF-EN-NFPA	NF-EN-NFPA	NF-EN-NFPA	NF-EN-NFPA	NF-EN-NFPA	NF-EN-NFPA

Powerful, Lightweight and Reliable in Rescue Operations



Chemin du Lyonnais - 69720 St Bonnet de Mure FRANCE- 33 (0) 4 72 48 90 05 - fax:33 (0) 4 72 48 90 03

☎:Site : www.hydram.com - E-mail : hydram@wanadoo.fr