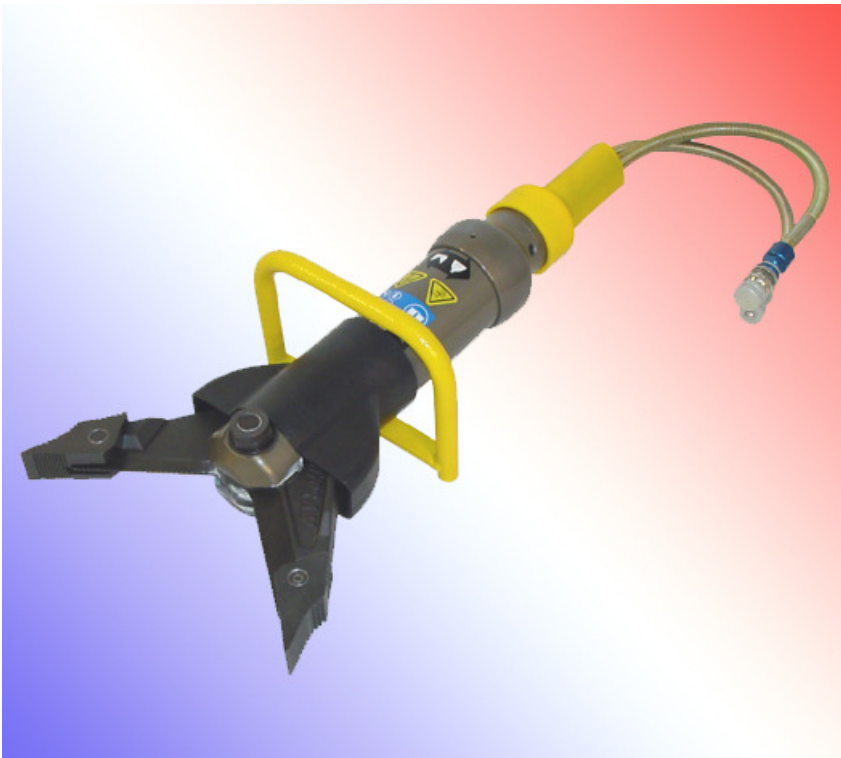


# Hydraulic Combi-tool Cutter-Spreader



MADE IN FRANCE

▼ Hydraulic combi-tool Cutter-Spreader CHEC 360 et CHEC 3600



The polyvalent combi-tool is designed for rapid intervention

## DESCRIPTION

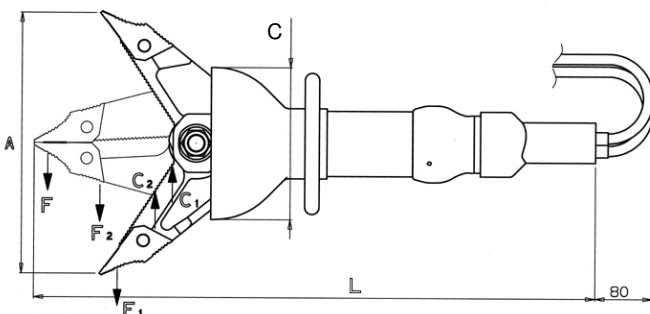
High strength light alloy unit with anti-wear treatment.  
Can be used in wet conditions.  
The combination hydraulic spreader can cut, spread, pull and crush.

Tool comprises of :

- 1 Double action cylinder.
- 1 Ergonomically shaped control handle with integral safety feature and check valve.
- 1 Set of hoses 0.5m long with automatically locking, anti-pollution, HP quick couplers fitted with metal protection stoppers.
- 2 straight, high strength forged steel blades with anti-corrosion treatment.
- 2 Removable ribbed tips.
- 1 U type holding handle.
- Pressure relief valve for hose on coupler end.

## OPTION:

- Chains set **CCMR 2-10 C**



## CHARACTERISTICS

| Model                         | CHEC 360         | CHEC 3600        |
|-------------------------------|------------------|------------------|
| Blade type                    | combinée         | combinée         |
| Operating pressure            | 700 bar          | 700 bar          |
| Cutting force C1              | 347 kN           | 461 kN           |
| Cutting force C2              | 133 kN           | 176 kN           |
| Maximum opening (mm) : Côte A | 364              | 364              |
| Spreading force F             | 40 kN            | 58 kN            |
| Spreading force F1            | 27 kN            | 40 kN            |
| Maximum spreading force F2    | 54 kN            | 80 kN            |
| Dimensions (mm)               | 777x210x165      | 787x252x195      |
| Weight                        | 15,8 kg          | 17,8 kg          |
| Tool classification EN 13204  | BK 27-365-H/15,8 | CK 40-365-H/17,8 |
| Compliance standards          | NF - EN - NFPA   | NF - EN - NFPA   |

Powerful, Lightweight and Reliable in Rescue Operations

NO CONTRACTUAL DOCUMENT



Chemin du Lyonnais - 69720 St Bonnet de Mure FRANCE- 33 (0) 4 72 48 90 05 - fax:33 (0) 4 72 48 90 03

Site : [www.hydram.com](http://www.hydram.com) - E-mail : [hydram@wanadoo.fr](mailto:hydram@wanadoo.fr)