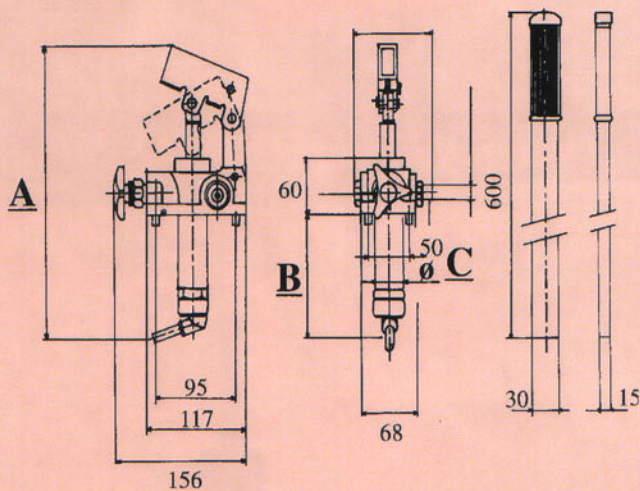


# Hand Pump 45cc/Cycle with Lever

## Specifications

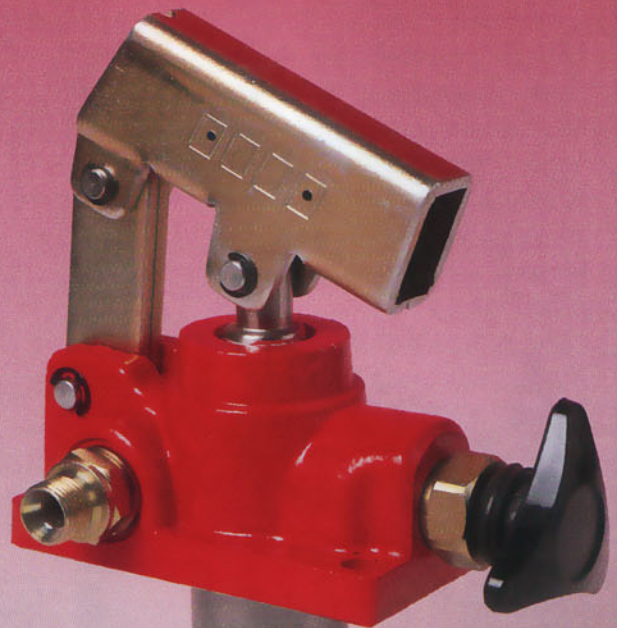
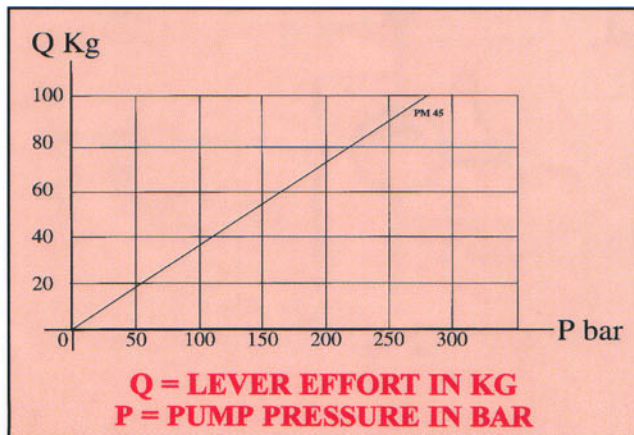
- Double Acting Hand Pump with Lever
- 45 c/c per cycle
- Stainless Steel Piston Rod
- Pump cartridge is all steel construction
- Hi-Strength Aluminium Body
- Nickel Plated Steel Parts
- Low Operating Effort
- High Quality, ISO.9001
- Rugged Construction
- Low leakage
- Long Life, Hard Wearing
- Buna seals are Standard
- Weight 2.5 Kg
- Pump suitable for use with-
- ISO.HM.VG.32 Hydraulic Oil



Code	A	B	C
OMPMS 45L 45cc/cycle	335	120	35

*Dimensions in mm.*

**Mounting Dimensions see page 16**



**Ordering Code: OPMSS 45L**

## Hydraulic Circuit

OMPMS 45L

