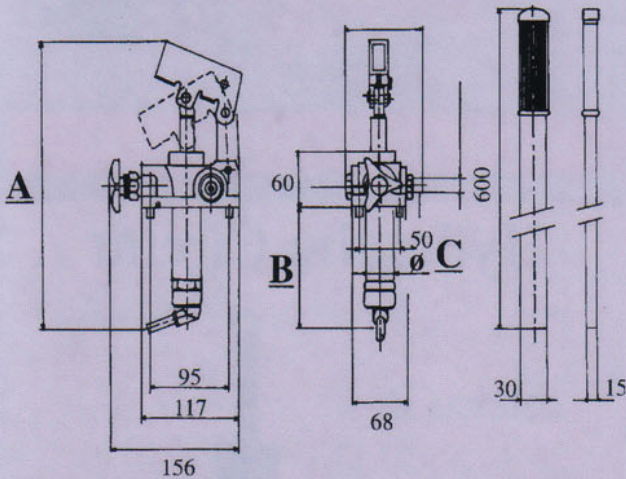


Hand Pump 25cc/Cycle with Lever

Specifications

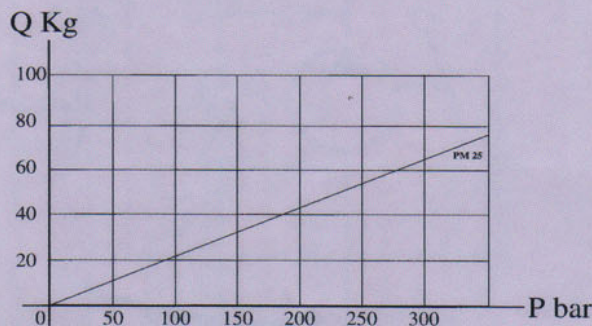
- Double Acting Hand Pump
- 25 c/c per cycle
- Stainless Steel Piston Rod
- Pump cartridge is all steel construction
- Hi-Strength Aluminium Body
- Nickel Plated Steel Parts
- Low Operating Effort
- High Quality, ISO.9001
- Rugged Construction
- Low leakage
- Long Life, Hard Wearing
- Buna seals are Standard
- Weight 2.1 Kg
- Pump suitable for use with-
- ISO.HM.VG.32 Hydraulic Oil



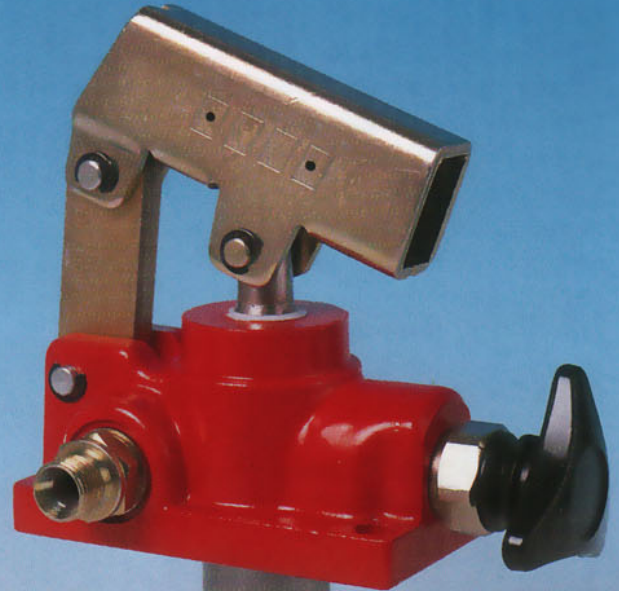
Code	A	B	C
OMPMS 25L 25cc/cycle	320	125	35

Dimensions in mm.

Mounting Dimensions see page 16



**Q = LEVER EFFORT IN KG
P = PUMP PRESSURE IN BAR**



Ordering Code: OMPMS 25L

Hydraulic Circuit

OMPMS 25L

