



HI-PRESS HYDRAULICS Ltd

PGM-Series, Gasoline Hydraulic Pumps

ENERPAC
 POWERFUL SOLUTIONS. GLOBAL FORCE.

▼ Shown: PGM-2408R



- **Patented Genesis Technology means**
- coaxial piston design ensures high performance
- first-stage piston pump for improved efficiency
- **High by-pass pressures improve productivity**
- **All Atlas pumps feature sturdy roll cage for use in tough environments**
- **Four-cycle Honda motor 2,2 kW.**

PGM Series



Reservoir Capacity:
4 - 8 litres

Flow at Rated Pressure:
0,66 l/min

Motor Size:
2,2 kW

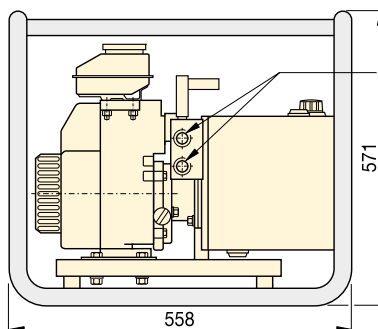
Maximum Operating Pressure:
700 bar



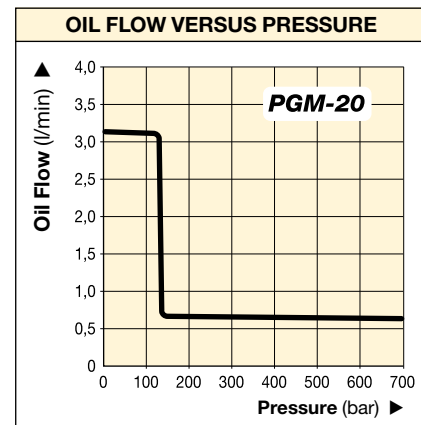
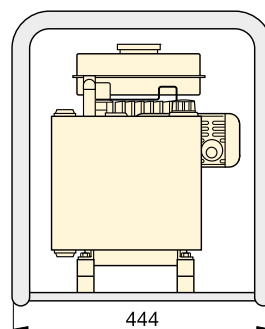
Hoses

Enerpac offers a complete line of high quality hydraulic hoses. To ensure the integrity of your system, specify only Enerpac hydraulic hoses.

Page: 116



3/8\"/>



Used with Cylinder	Usable Oil Capacity (litres)	Model Number	Pressure Rating (bar)	Output Flow Rate (l/min)		By-Pass Pressure (bar)	Manual Valve Type	Valve Function	Sound Level (dBA)	(kg)
				1 st stage	2 nd stage					
Single-Acting	3,8	PGM-2304R *	700	3,2	0,66	140	3/3	Advance / Hold / Retract	89	25
Double-Acting	3,8	PGM-2404R *	700	3,2	0,66	140	4/3	Advance / Hold / Retract	89	25
Single-Acting	7,6	PGM-2308R *	700	3,2	0,66	140	3/3	Advance / Hold / Retract	89	33
Double-Acting	7,6	PGM-2408R *	700	3,2	0,66	140	4/3	Advance / Hold / Retract	89	33

* Note: The PGM-20 series are available with a carrying handle instead of a roll cage. For ordering omit the 'R' from the model number



HI-PRESS HYDRAULICS LTD
RIVERSIDE WORKS,
FORGE ROAD, WHALEY BRIDGE,
HIGH PEAK, SK23 7HY

T: 01663 735089 - F: 01663 735090
sales@hi-press.co.uk

HI-PRESS HYDRAULICS LTD
UNIT 2, HALL HOUSE IND EST,
NEW HUTTON, KENDAL,
CUMBRIA, LA8 0AH

T: 01539 734005 - F: 01539 734006
cumbria@hi-press.co.uk

