



# HI-PRESS HYDRAULICS Ltd

## Flange Alignment Tools

**ENERPAC**   
POWERFUL SOLUTIONS. GLOBAL FORCE.

▼ From left to right: **ATM-4, ATM-9, ATM-2** (ATM-9 shown without pump and hose)



- Enerpac ATM-Series tools rectify twist and rotational misalignment quickly, safely and without the need for an external power source
- Appropriate for use on most ANSI, API, BS and DIN flanges
- Reduces set-up time: no need for chains, pulleys or rigs
- Safety strap helps provide secure operation
- Can be installed and used in any position
- Portable, lightweight design enables easy transport and use, even in remote locations.

▼ The compact ATM-2 is actuated by simply hand turning the crank.



### ATM Series

Minimum Bolt Size:

**16 - 31,5 mm**

Flange Wall Thickness:

**14 - 228 mm**

Maximum Lifting Force:

**1 - 9 ton (10 - 90 kN)**



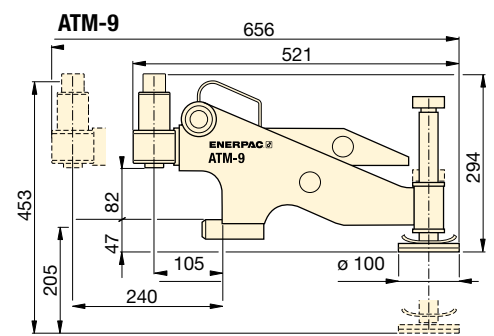
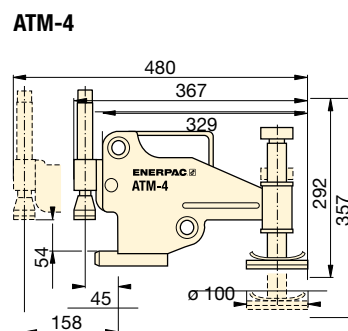
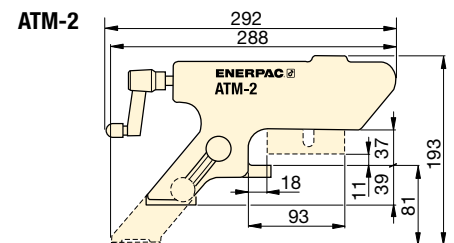
#### Adjustable Reach

The highly adjustable reach of the wing and drop leg on ATM-4 and ATM-9 allow precise alignment.



#### ATM-9 Hydraulics

The ATM-9 includes P-142 hand pump and HC-7206C 1,8 m long hose. Enerpac recommend the use of the pressure gauge **GP-10S** and gauge adaptor **GA-4** for easy mounting of the gauge onto your system.



Maximum Lifting Force		Model Number	Minimum Bolt Size		Flange Wall Thickness		(kg)
ton	kN		(mm)	(inch)	(mm)	(inch)	
1	10	<b>ATM-2</b>	16	.63	14 - 82	.55 - 3.29	1,6
4	40	<b>ATM-4</b>	24	.95	30 - 133	1.18 - 5.23	8,6
9	90	<b>ATM-9 *</b>	31,5	1.24	93 - 228	3.66 - 9.00	14,5

\* ATM-9 includes an Enerpac hand pump and hydraulic hose (gauge and adaptor sold separately). ATM-9 weight includes tool only.



HI-PRESS HYDRAULICS LTD  
RIVERSIDE WORKS,  
FORGE ROAD, WHALEY BRIDGE,  
HIGH PEAK, SK23 7HY

T: 01663 735089 - F: 01663 735090  
sales@hi-press.co.uk

HI-PRESS HYDRAULICS LTD  
UNIT 2, HALL HOUSE IND EST,  
NEW HUTTON, KENDAL,  
CUMBRIA, LA8 0AH

T: 01539 734005 - F: 01539 734006  
cumbria@hi-press.co.uk

