



**Force: 6,1 - 19,5 kN**

**Stroke: 6,4 - 10,9 mm**

**Pressure: 80 - 170 bar**

- E** Cilindros giratorios
- F** Vérins de bridage pivotants
- D** Schwenkspannzylinder



### Adjustable clamping stroke

...turns clockwise or counter-clockwise

- Adjustable bolt in clamp arm for clamping stroke adjustment
- Low profile, ideal for limited space applications
- Quick swing action allows clamp arm to swing free of cutter and reclamp after it has passed
- 94-100° clamp arm swing arc.

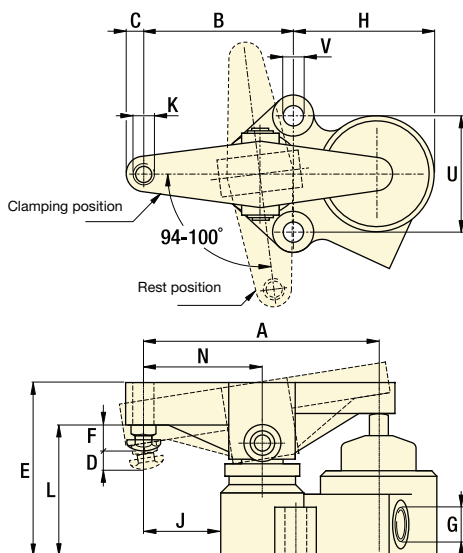
Shown: ASC-30



#### ASC series

Clamping arm rotates 97° clockwise or counter-clockwise (requires easily changed rotation spring) to position itself over the workpiece. Then, a vertical plunger exerts an upward thrust on the back end of the swing arm providing a powerful downward pressure to clamp the workpiece.

ASC-30, -100



### Selection chart

Clamping force	Stroke	Model number	Operating pressure	Cylinder effective area	Oil capacity	Max. oil flow	
kN	mm		bar	cm <sup>2</sup>	cm <sup>3</sup>	l/min	kg
6,1	6,4	<b>ASC-30</b>	80 - 170	3,5	4,9	1,9	2,7
19,5	10,9	<b>ASC-100</b>	80 - 170	11,4	20,0	1,9	8,2

### Product dimensions in mm [ ]

Model number	A	B	C	D	E	F	G	H	J	K	L	N	U	V
							NPT			UN				Ø
<b>ASC-30</b>	127,0	85,9	12,7	6,4	88,9	19,1	.125-27	69,9	41,4	.500-13	69,9	63,5	63,5	10,4
<b>ASC-100</b>	177,8	114,3	13,5	10,9	133,4	18,5	.125-27	108	57,2	.500-13	101,6	88,9	88,9	16,0

#### Important

For high cycle applications use double-acting cylinders.

View of a machining fixture with ASC-30 clamping cylinders.



Swing Clamps

Work Supports

Linear Cylinders

Power Sources

Valves

Pallet Components

System Components

Yellow Pages



HI-PRESS HYDRAULICS LTD  
RIVERSIDE WORKS,  
FORGE ROAD, WHALEY BRIDGE,  
HIGH PEAK, SK23 7HY

T: 01663 735089 - F: 01663 735090  
sales@hi-press.co.uk

HI-PRESS HYDRAULICS LTD  
UNIT 2, HALL HOUSE IND EST,  
NEW HUTTON, KENDAL,  
CUMBRIA, LA8 0AH

T: 01539 734005 - F: 01539 734006  
cumbria@hi-press.co.uk

