



# HI-PRESS HYDRAULICS Ltd

## P-Series, ULTIMA Steel Hand Pumps



Shown from left to right: P-77, P-80, P-84, P-801, P-39



## The Solution for Tough Jobs



### Two Speed Pumps

Recommended for applications where cylinder plunger must advance rapidly to contact load, and applications where greater oil capacities are required, such as multiple cylinder hook-ups.



### Foot Pump Conversion Kits

Convert your P-39 to foot power with the PC-10 Kit. Includes instructions for easy conversion.



### Gauges

Minimize the risk of overloading and ensure long, dependable service from your equipment. Refer to the System Components section for a full range of gauges.

Page:



### 4-Way Control Valve

P-84 and P-464 feature a manual 4-way control valve, designed for use with one double-acting or two single-acting cylinders. For system set-up information:

Page:

- Reduced handle effort and ergonomic grip for less operator fatigue
- Two-speed operation for fast and easy operation (except P-39)
- Vent free reservoir eliminates spills
- Quick grip handle allows for easy transport
- Integral reservoir over-pressurization protection
- All steel construction, chrome plated plunger and wiper system for durable, long lasting performance
- 4-way valving on the P84 and P-464 for operation of double-acting cylinders

In the absence of a power supply, the P-80 Hand Pump offers a powerful solution.



Pump Type	Usable Oil Capacity (in <sup>3</sup> )	Model Number	Pressure Rating*		Oil Displacement per Stroke		Max. Handle Effort (lbs)
			(psi)		(in <sup>3</sup> )		
			1 <sup>st</sup> stage	2 <sup>nd</sup> stage	1 <sup>st</sup> stage	2 <sup>nd</sup> stage	
Single	47	P-39	N/C	10,000	N/C	.15	85
Two-speed	47	P-77	500	10,000	1.00	.15	88
	134	P-80**	500	10,000	1.00	.15	77
	250	P-801	500	10,000	1.00	.15	77
	134	P-84***	500	10,000	1.00	.15	77
	453	P-462	200	10,000	7.69	.29	110
	453	P-464***	200	10,000	7.69	.29	110

\* Contact Enerpac for applications where operating pressure is less than 10% of pressure rating.

\*\* Available as a set, see note on next page.

\*\*\* For use with double-acting cylinders.



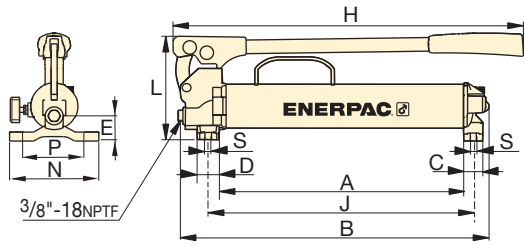
HI-PRESS HYDRAULICS LTD  
RIVERSIDE WORKS,  
FORGE ROAD, WHALEY BRIDGE,  
HIGH PEAK, SK23 7HY

T: 01663 735089 - F: 01663 735090  
sales@hi-press.co.uk

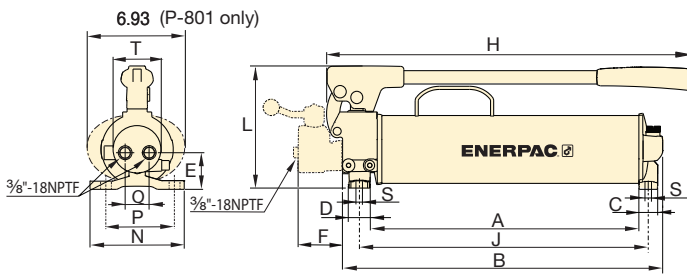
HI-PRESS HYDRAULICS LTD  
UNIT 2, HALL HOUSE IND EST,  
NEW HUTTON, KENDAL,  
CUMBRIA, LA8 0AH

T: 01539 734005 - F: 01539 734006  
cumbria@hi-press.co.uk

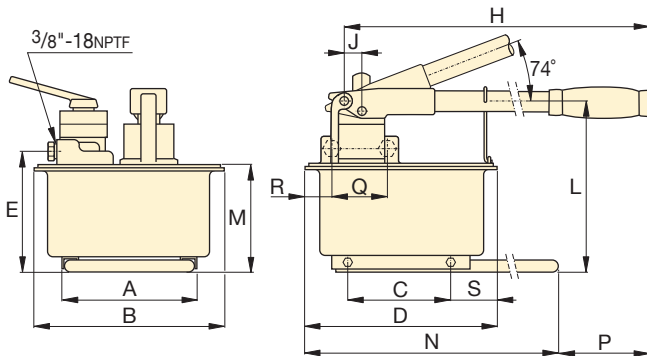




**P-39, P-77**



**P-80, P-801, P-84**



**P-462, P-464**

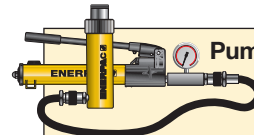
### P Series



Reservoir Capacity:  
**47-453 in<sup>3</sup>**

Flow at Rated Pressure:  
**.15-.29 in<sup>3</sup>/stroke**

Maximum Operating Pressure:  
**10,000 psi**



#### Pump and Cylinder Sets

P-80 is also available as a set (pump, cylinder, gauge, couplers and hose) for your ordering convenience.

Page: **54**



#### Speed Chart

To determine how a specific pump will operate your cylinder, see the Pump/Cylinder Speed Chart in the "Yellow Pages".

Page: **247**



#### Cylinder Matching Chart

For help in selecting the correct hand pump for your application, please refer to the Cylinder Matching Chart located in the "Yellow Pages".

Page: **240**

Piston Stroke	Dimensions (in)																Weight (lbs)	Model Number
	A	B	C	D	E	F	H	J	L	M	N	P	Q	R	S	T		
1.00	15.09	18.91	1.18	1.38	1.48	-	21.63	16.37	6.39	-	5.51	4.37	-	-	0.33	-	13.6	<b>P-39</b>
1.00	15.39	19.19	1.18	1.38	1.86	-	21.63	16.67	6.39	-	5.51	4.37	-	-	0.33	-	15.6	<b>P-77</b>
1.00	16.83	20.12	1.18	1.38	2.17	-	23.50	18.11	7.65	-	5.91	4.76	1.65	-	0.33	2.93	23.6	<b>P-80**</b>
1.00	16.83	20.12	1.18	1.38	2.17	-	23.50	18.11	7.65	-	5.91	4.76	1.65	-	0.33	2.93	31.0	<b>P-801</b>
1.00	16.83	20.06	1.18	1.38	2.30	2.77	22.78	18.11	7.65	-	5.91	4.76	1.50	-	0.33	2.93	26.0	<b>P-84***</b>
1.50	8.25	12.13	6.42	12.63	7.68	-	26.44	.98	10.63	6.89	25.6	3.63	-	-	3.13	-	61.0	<b>P-462</b>
1.50	8.35	12.13	6.42	12.63	7.68	-	26.44	.98	10.63	6.89	25.6	3.63	3.50	2.68	3.13	-	61.0	<b>P-464***</b>



**HI-PRESS HYDRAULICS LTD**  
RIVERSIDE WORKS,  
FORGE ROAD, WHALEY BRIDGE,  
HIGH PEAK, SK23 7HY

T: 01663 735089 - F: 01663 735090  
sales@hi-press.co.uk

**HI-PRESS HYDRAULICS LTD**  
UNIT 2, HALL HOUSE IND EST,  
NEW HUTTON, KENDAL,  
CUMBRIA, LA8 0AH

T: 01539 734005 - F: 01539 734006  
cumbria@hi-press.co.uk

