

ENERPAC®

POWERFUL SOLUTIONS. GLOBAL FORCE.

PTW-Series PNEUMATIC TORQUE WRENCHES



Advantages

Productivity

- High speed continuous rotation for constant torque output
- Low friction planetary gearbox design minimizes wear and extends uptime.

Safety

- Ergonomic, low vibration design reduces operator fatigue and vibration-related injuries
- Low noise air motor provides quiet, consistent performance for indoor and outdoor applications.

Simplicity

- Ready to go tool comes with Filter/Regulator/Lubricator (FRL) and calibration certificate.

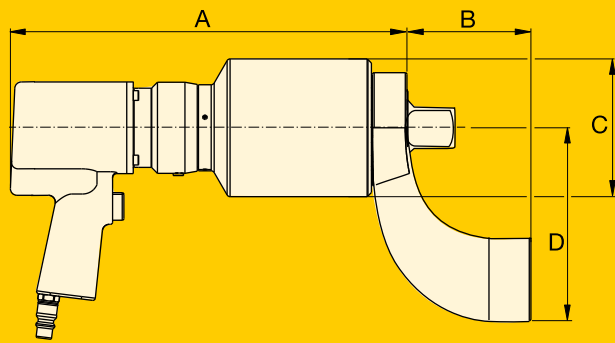
- Simple to operate trigger style handle
- Easily accessible tightening/loosening control
- Wide assortment of custom arms and accessories make it easy to fit your job.

Where safety meets productivity

A simple to use solution for tough bolting jobs, when you want them done quickly and safely.

LESS NOISE AND VIBRATION

Pneumatic Torque Wrenches



▼ SELECTION CHART

Minimum Torque		Maximum Torque		Square Drive	Model Number ¹⁾	Speed	Dimensions (mm)				Weight (kg) ²⁾
(Nm)	(Ft.lbs)	(Nm)	(Ft.lbs)				(inch)	(RPM)	A	B	
407	300	1356	1000	1	PTW1000C	12,6	272	83	72	130	8,2
678	500	2712	2000	1	PTW2000C	8,0	286	83	79	133	8,8
1220	900	4067	3000	1	PTW3000C	3,1	343	83	95	133	10,4
1763	1300	8135	6000	1½	PTW6000C	2,5	366	114	127	178	17,7

¹⁾ All tools are shipped complete with standard reaction arm and filter/regulator/lubricator (FRL).
To order without FRL and 3 m air hose, remove "C" suffix from model number (example: **PTW3000**).

²⁾ Weight does not include reaction arm.

Reaction arm weight for PTW1000, PTW2000, PTW3000 is 1,3 kg and for PTW6000 is 3,5 kg.

Accessories

Enerpac offers a wide range of accessories including extended reaction arms and square drives. A full listing is available at www.enerpac.com



Each PTW-Series tool comes standard with reaction arm and factory calibration certificate.

Easily accessible tightening/loosening switch.

Each PTW-Series tool comes standard with filter/regulator/lubricator and 3 m air hose.

ENERPAC 
POWERFUL SOLUTIONS. GLOBAL FORCE.

Australia and New Zealand
Actuant Australia Ltd.
T +61 297 438 988 – F +61 297 438 648

Brazil
Power Packer do Brasil Ltda.
T +55 11 5687 2211
Toll Free: T 0800 891 5770

China
Actuant (China) Industries Co.Ltd.
T +86 0512 5328 7500
F +86 0512 5335 9690
Toll Free: T +86 400 885 0369

France, Switzerland, North Africa and French speaking African countries
ENERPAC Une division d'ACTUANT France S.A.S.
T +33 1 60 13 68 68 – F +33 1 69 20 37 50

Germany and Austria
ENERPAC GmbH
T +49 211 471 490 – F +49 211 471 49 28

India
Enerpac Hydraulics (India) Pvt. Ltd.
T +91 80 3928 9000

Italy
ENERPAC S.p.A.
T +39 02 4861 111 – F +39 02 4860 1288

Japan
Applied Power Japan LTD KK
T +81 48 662 4911 – F +81 48 662 4955

Middle East, Egypt and Libya
ENERPAC Middle East FZE
T +971 4 8872686 – F +971 4 8872687

Russia
Rep. office Enerpac
T +7 495 98090 91 – F +7 495 98090 92

Southeast Asia, Hong Kong and Taiwan
Actuant Asia Pte Ltd.
T +65 68 63 0611 – F +65 64 84 5669
Toll Free: T +1800 363 7722

South Korea
Actuant Korea Ltd.
T +82 31 434 4506 – F +82 31 434 4507

Spain and Portugal
ENERPAC SPAIN, S.L.
T +34 91 884 86 06 – F +34 91 884 86 11

Sweden, Denmark, Norway, Finland and Iceland
Enerpac Scandinavia AB
T +46 (0) 771 415000

The Netherlands, Belgium, Luxembourg, Central and Eastern Europe, Baltic States, Greece, Turkey and CIS countries
ENERPAC B.V.
T +31 318 535 911 – F +31 318 535 848

Enerpac Integrated Solutions B.V.
T +31 74 242 20 45 – F +31 74 243 03 38

South Africa and other English speaking African countries
ENERPAC AFRICA (PTY) Ltd.
T 0027 (0) 12 940 0656

United Kingdom and Ireland
ENERPAC Ltd.
T +44 1670 5016 50 – F +44 1670 5016 51

USA, Latin America and Caribbean
ENERPAC
T +1 262 293 1600 – F +1 262 293 7036

User inquiries: +1 800 433 2766
Distributor inquiries/orders:
T +1 800 558 0530
F +1 800 628 0490

info@enerpac.com
www.enerpac.com

9087GB © Enerpac 02-2015
Subject to change without notice.



MORE PRODUCTIVITY