

# Torque Wrench

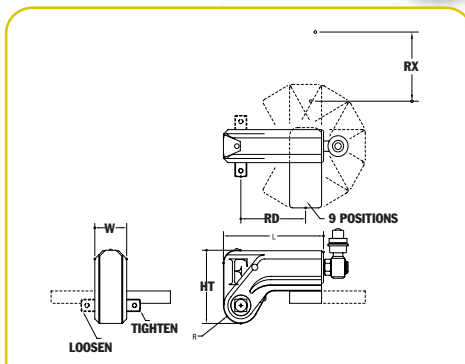
## SQUARE DRIVE F SERIES

**14.130 Nm MAX TORQUE**  
700 bar

### LIGHTWEIGHT, ECONOMICAL SQUARE-DRIVE TOOL

- 360° adjustable hose swivel for versatility
- Nine-point adjustable reaction arm
- Torsion resistant housing
- One-piece, slide-through square drive
- Single Acting

Heavy duty compact design for flange and casing work.



Tool Model	HT (mm)	R (mm)	L (mm)	RX (mm)	RD (mm)
<b>F05PT</b>	75	19	105	47	69
<b>F1PT</b>	112	28	178	67	102
<b>F3PT</b>	149	38	229	89	137

Tool Model	Square Drive in.	Max. Torque - Min. Torque (Nm)	Tool Weight (kg)
<b>F05PT</b>	1/2"	4104 - 64	0,91
<b>F1PT</b>	1"	1630 - 230	2,54
<b>F3PT</b>	1"	4015 - 585	5,67

HYDRAULIC TOOLS

