

Hydraulic Wedgie and Spread Cylinders

▼ Shown clockwise from top: **WR-15, WR-5, A-92**



- Single-acting, spring return
- **WR-15:** For long stroke spreading applications
- **WR-5:** For use in very confined work areas
- **A-92:** Spreader attachment screws onto RC-Series 10 ton cylinders (except RC-101)

A, WR Series



Capacity:
0.75-1 ton

Tip Clearance:
0.50-1.38 inches

Maximum Spread Range:
3.70-11.50 inches

Maximum Operating Pressure:
10,000 psi



RC-Series Cylinders

10 ton RC-Series cylinders (except RC-101) fit into A-92 Spreader Attachment.

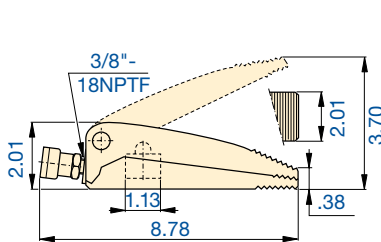
Page: 6



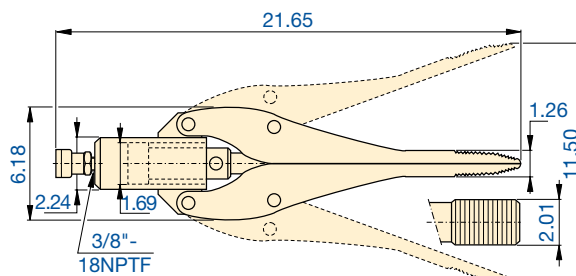
Best Match Hand Pump

To power your Wedgie and Spreader Attachment the **P-392** hand pump is an ideal choice.

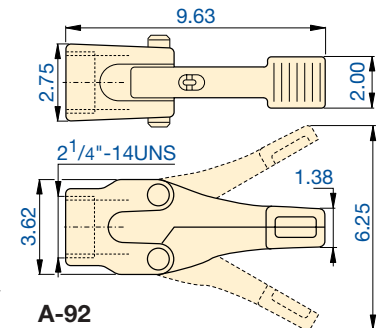
Page: 62



WR-5



WR-15



A-92

Spreader Capacity	Tip Clearance	Model Number	Maximum Spread	Cylinder Effective Area	Oil Capacity	Wt.
(tons)	(in)		(in)	(in ²)	(in ³)	(lbs)
1.00	.50	WR-5	3.70	1.00	.61	5.0
.75	1.26	WR-15	11.50	2.25	3.91	25.0
1.00	1.38	A-92	6.25	-	-	8.0

A WR-5 wedgie cylinder is used to position a concrete block on a construction site. ▶

