

PGM-Series, Gasoline Pumps

▼ Shown: PGM-2408R



Featuring Genesis Technology

- Patented Genesis Technology means
 - coaxial piston design ensures high performance
 - first-stage piston pump for improved efficiency
- High by-pass pressures improve productivity
- All Atlas pumps feature sturdy Roll Cages for use in tough environments
- Four-cycle Honda motor 3.0 hp.



Hoses

Enerpac offers a complete line of high quality hydraulic hoses. To ensure the integrity of your system, specify only Enerpac hydraulic hoses.

Page: 116



Gauges

Minimize the risk of over-loading and ensure long, dependable service from your equipment. Refer to the

System Components section for a full range of gauges.

Page: 122

▼ This PGM-pump is used to power a hydraulic re-bar cutter on a construction site before power was available.



Used with Cylinder	Usable Oil Capacity (gal)	Model Number	Pressure Rating (psi)	Output Flow Rate (in ³ /min)	
				1 st stage	2 nd stage
Single-Acting	1.0	PGM-2304R*	10,000	200	40
Double-Acting	2.0	PGM-2404R*	10,000	200	40
Single-Acting	1.0	PGM-2308R*	10,000	200	40
Double-Acting	2.0	PGM-2408R*	10,000	200	40

* Note: The PGM-20 series are available with a carrying handle instead of a roll cage. For ordering omit the 'R' from the model number

Gasoline Pumps



Atlas Gasoline Pump Performance

Elevation can affect the performance of any gasoline engine. Atlas pumps are designed to develop rated performance at elevations up to 5,000 ft.

For applications above this elevation, please consult your Enerpac office.

PGM Series



Reservoir Capacity:
1.0 - 2.0 gal.

Flow at Rated Pressure:
40 in³/min

Motor Size:
3.0 hp

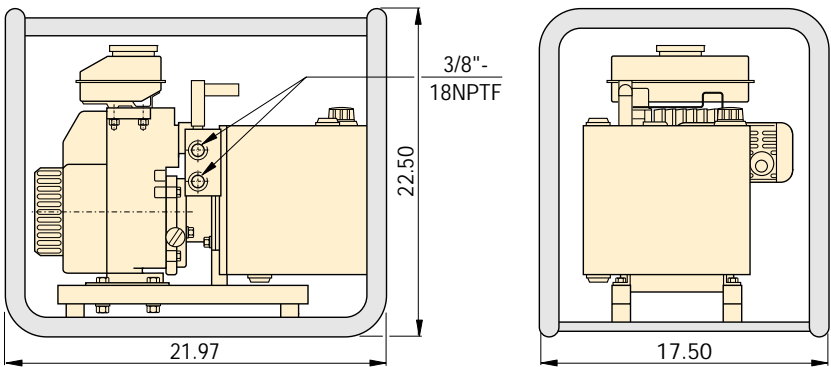
Maximum Operating Pressure:
10,000 psi



Speed Chart

To determine how a specific pump will operate your cylinder, see the Pump-Cylinder Speed Chart in the 'Yellow Pages'.

Page: 113



By-Pass Pressure (psi)	Valve Type	Valve Function	Motor Type / Size	Sound Level (dBA)	Weight (lbs)
2,000	3-way, 3-position	Advance/ Hold/Retract	Honda 3.0 hp	89	55
2,000	4-way, 3-position			89	72
2,000	3-way, 3-position	Advance/ Hold/Retract	Honda 3.0 hp	89	55
2,000	4-way, 3-position			89	72

