

# 8000 Series Gasoline Pumps

▼ Shown: **EGM-8418**



## EGM Series

Reservoir Capacity:  
**25 gal.**

Flow at Rated Pressure:  
**1.5 gal/min.**

Motor Size:  
**18 hp**

Maximum Operating Pressure:  
**10,000 psi**



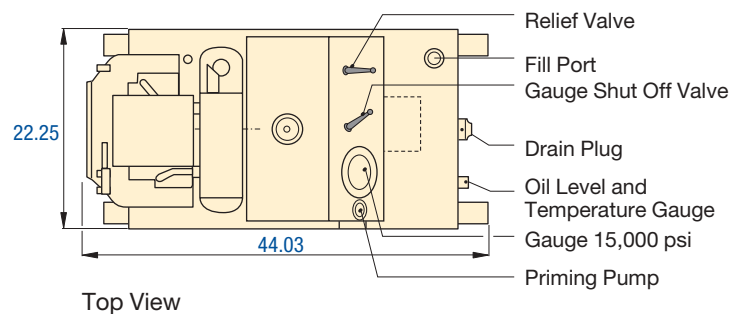
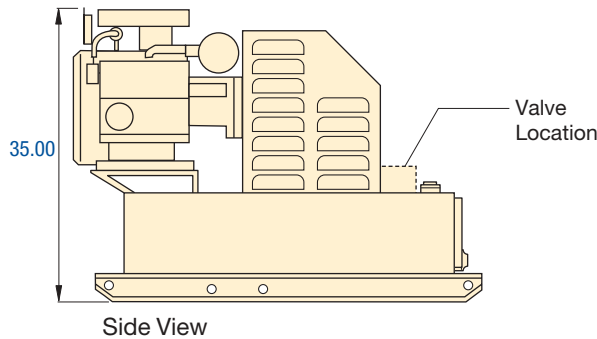
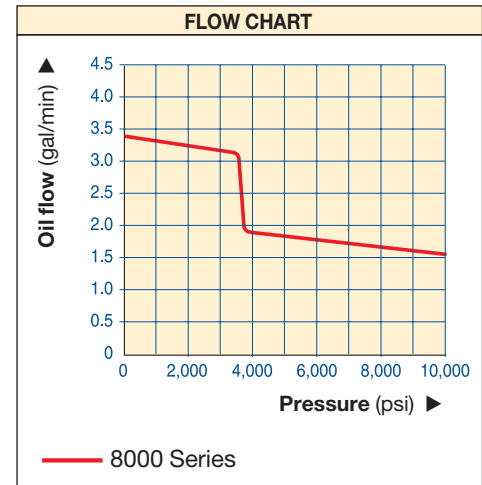
### Locking Valves

Pumps with VM-4 manual valves are available with VM-4L manual valves for positive load holding.

Add suffix "L" to pump model number.

Page: **130**

- Industrial grade 18 hp twin-cylinder motor
- Panel mounted pressure gauge and adjustable relief valve for system pressure control
- Two-speed pump design with high by-pass pressure for rapid cylinder advance
- Built in oil temperature and oil level gauge
- External adjustable relief valve (1,200-10,000 psi) allows control of operating pressure without opening the pump
- Integral priming circuit guarantees quick starts after transport



Used with Cylinder	Usable Oil Capacity (gal)	Model Number	Pressure Rating (psi)		Output Flow Rate (gal/min)		Valve Type	Valve Function	Sound Level (dBA)	Weight (lbs)
			1 <sup>st</sup> stage	2 <sup>nd</sup> stage	1 <sup>st</sup> stage	2 <sup>nd</sup> stage				
Single-acting	18	<b>EGM-8218</b>	3,700	10,000	3.4	1.5	3-way, 2-pos.	Adv./Retr.	94	890
Double-acting	18	<b>EGM-8418</b>	3,700	10,000	3.4	1.5	4-way, 3-pos.	Adv./Hold/Retr.	94	890