

# Posi Lock® 100 Ton Hydraulic Grip Pullers

▼ EPH-1003



- Roller cart with power lift
- Adjustable jaw tips
- Puller easily detaches from cart
- Self-contained unit
- Puller height range 26.5" to 66.5"

**EPH Series**



Capacity:  
**100 tons**

Maximum Reach:  
**48 inches**

Maximum Spread:  
**70 inches**

Maximum Operating Pressure:  
**10,000 psi**



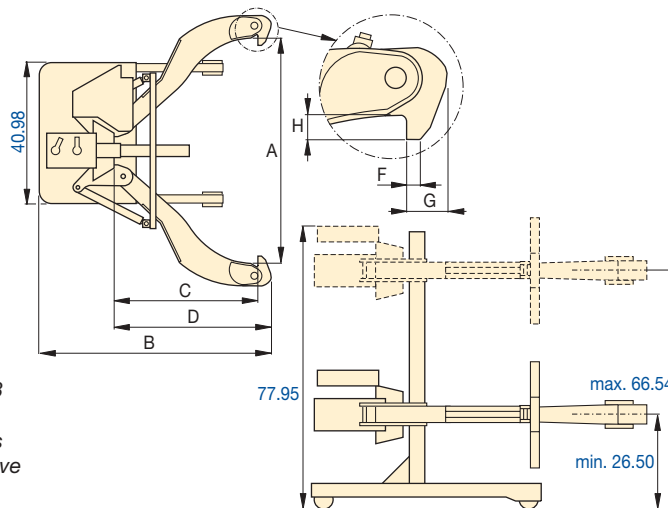
**Pushing Adaptors**

All Posi Lock 100 Ton Hydraulic Pullers include (3) pushing adaptors.

Diameter	Overall Length	Model Number
3.5"	29"	EPHT-1162
3.5"	19"	EPHT-1163
3.5"	9"	EPHT-1164



◀ The EPH-1003 quickly and easily removes this drive sheave from its shaft.



Number of Jaws	Max. Spread (in)	Capacity (tons)	Model Number	Dimensions (in)							Weight (lbs)
				Spread Range	Overall Length	Reach (max.)	Jaw Length	Jaw Width	Tip Clearance	Tip Depth	
				A	B	C	D	F	G	H	
2	70.00	100	EPH-1002	7.5-70.0	77.00	48.00	53.00	1.25	3.5	3.5	1700
3	70.00		EPH-1003	7.5-70.0	77.00	48.00	53.00	1.25	3.5	3.5	1950